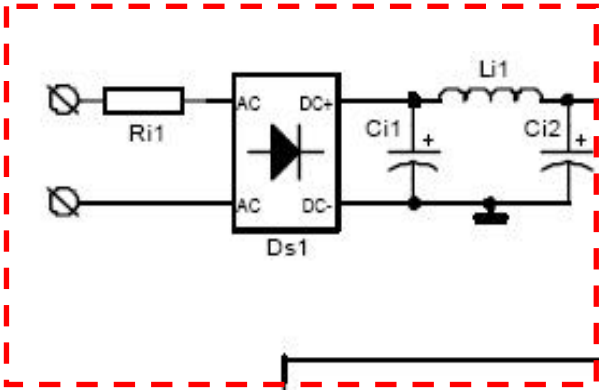
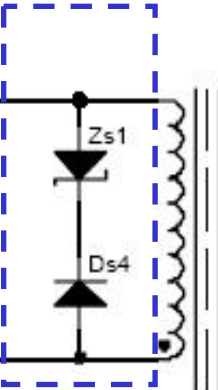


# 2~30W Adaptor Block Diagram

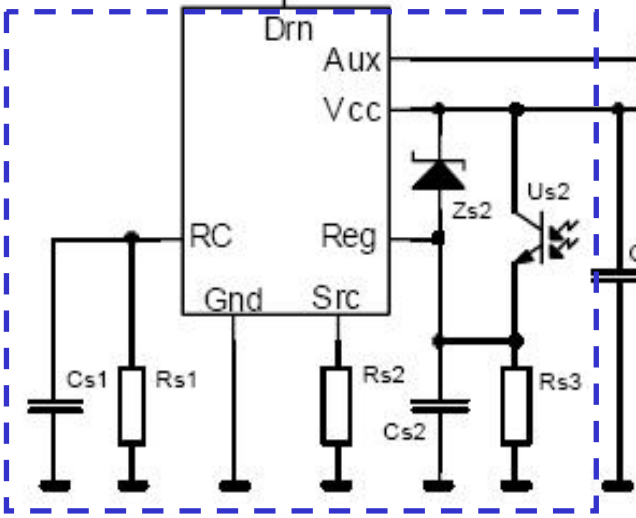
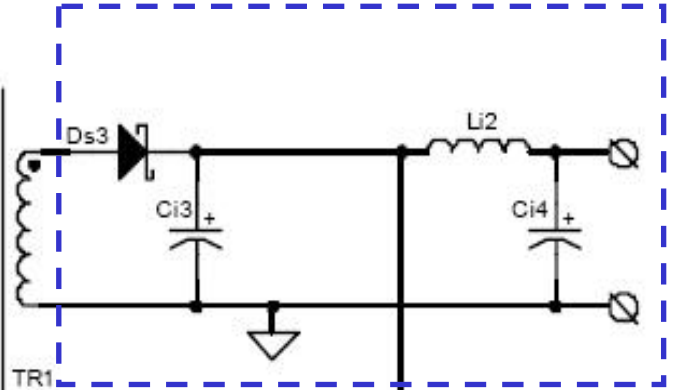
## Input Section



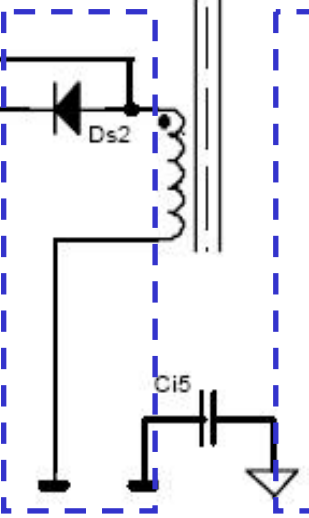
## Clamp



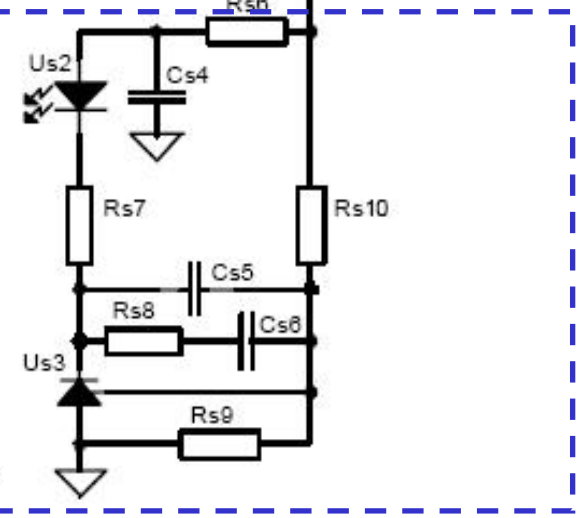
## Output Section



## PWM



## VCC

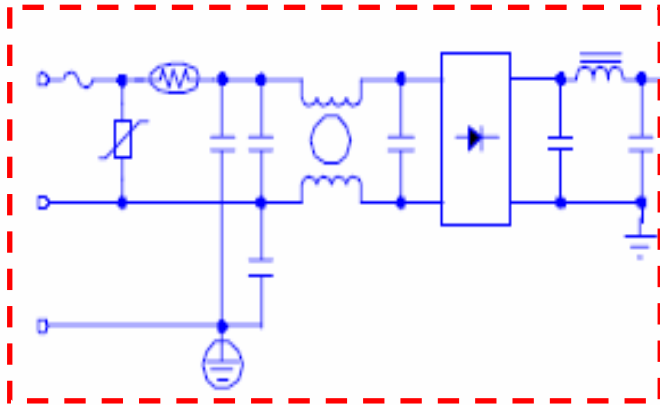


## Feedback Section

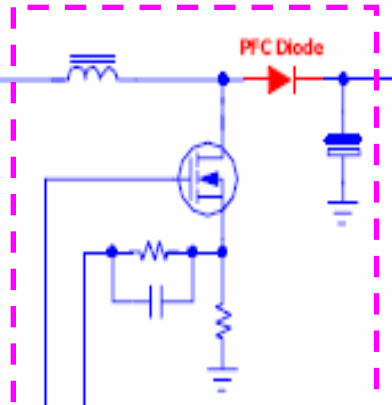


# 60~180W Adaptor Block Diagram

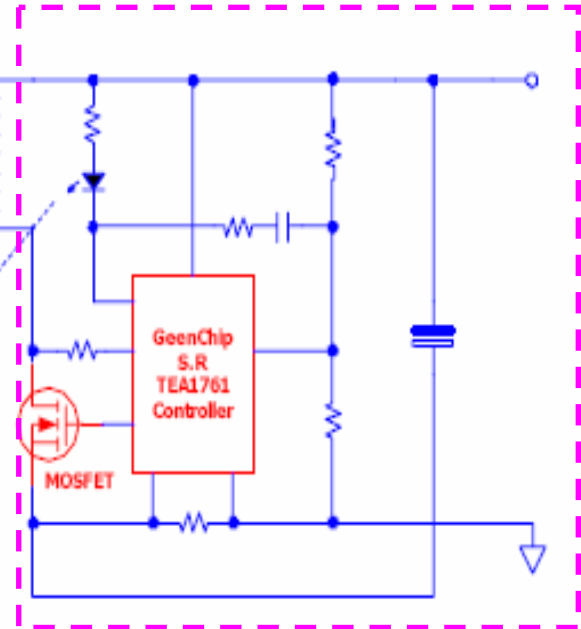
## Input Section



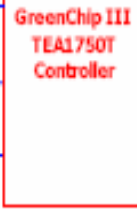
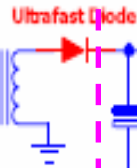
## P.F.C.



## Sync Rectification



VCC



PWM

Feedback Loop

Feedback Section

